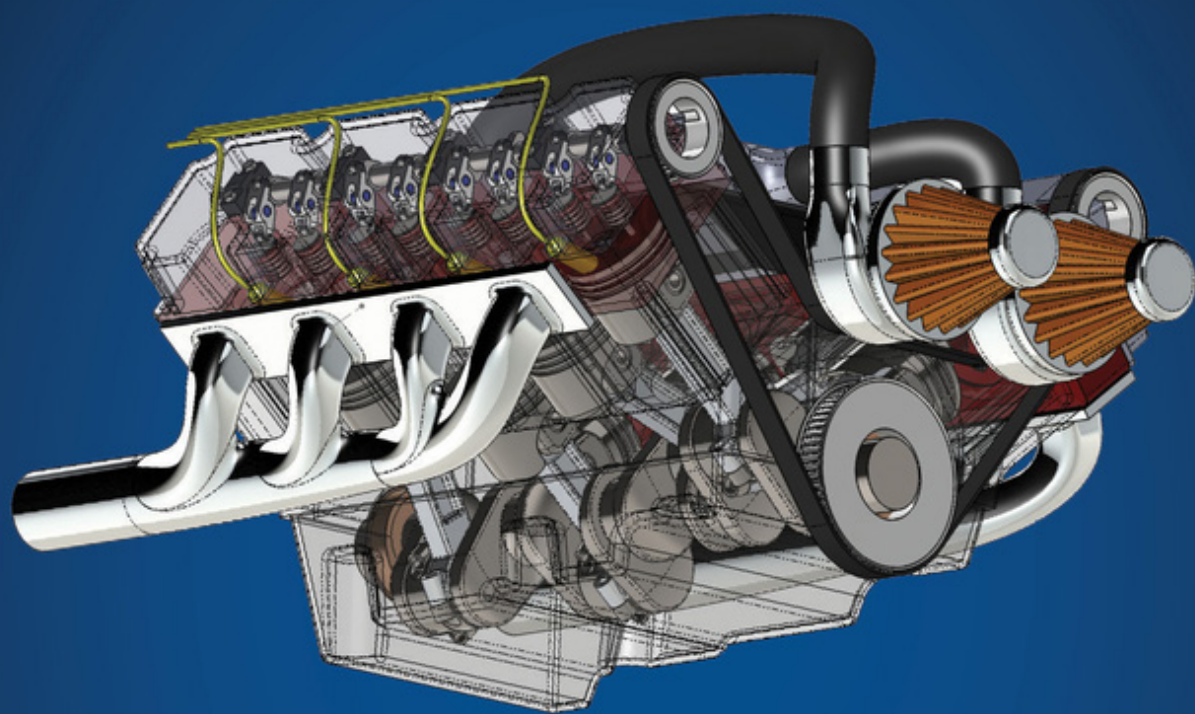
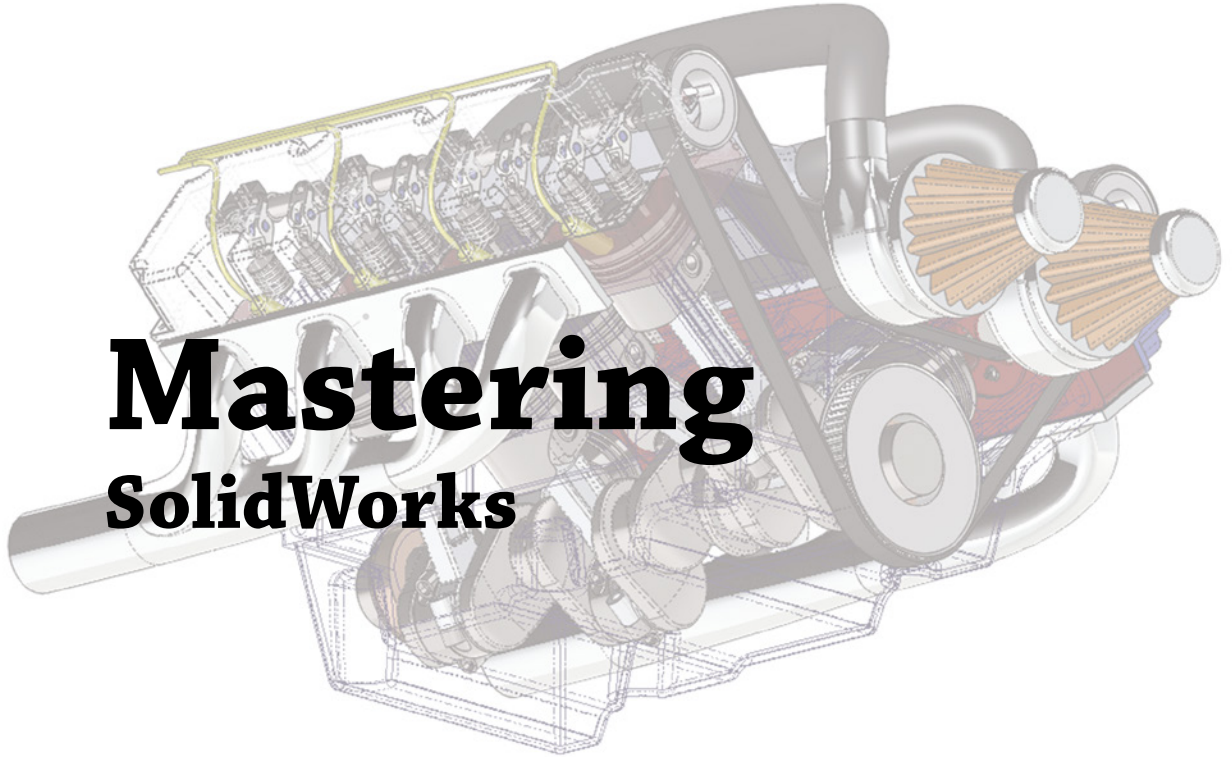


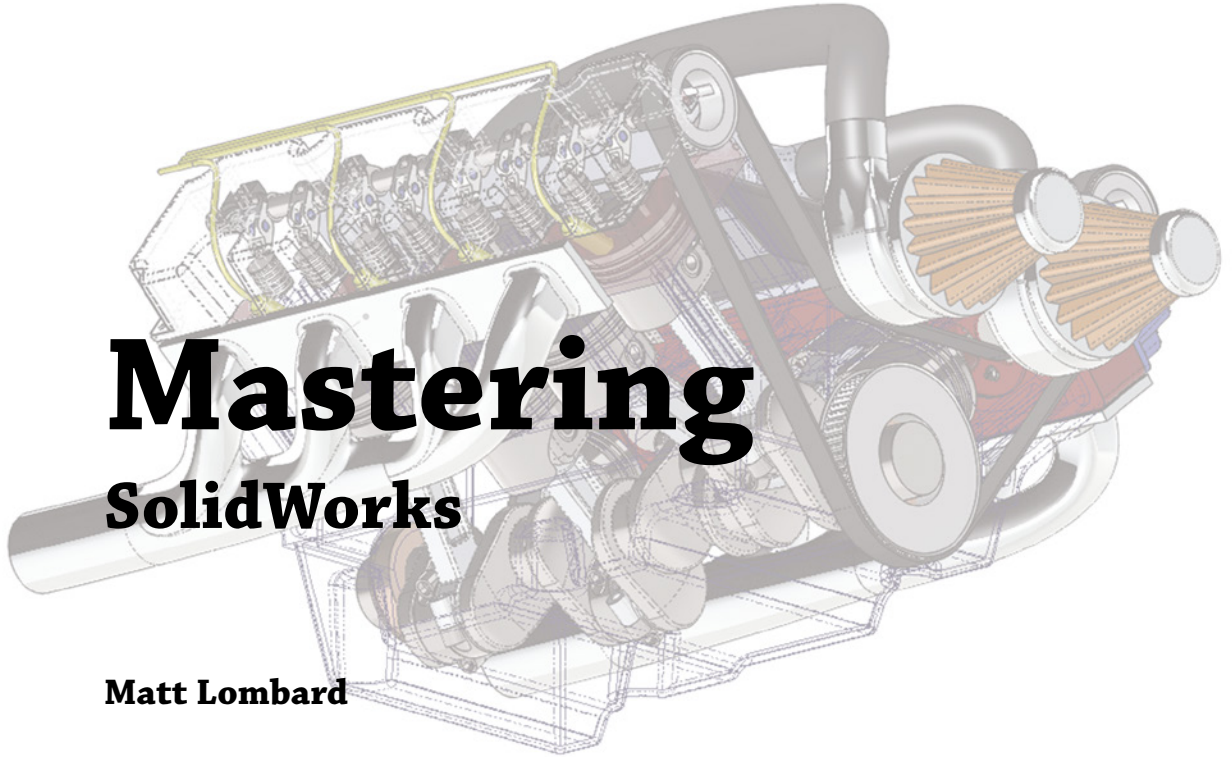
Matt Lombard



Mastering SolidWorks®



Mastering SolidWorks



Mastering SolidWorks

Matt Lombard

Development Editor: Mary Ellen Schutz
Technical Editor: Alin Vargatu
Production Editor: Athiyappan Lalith Kumar
Copy Editor: Kathy Carlyle
Content Enablement and Operations Manager: Pete Gaughan
Production Manager: Kathleen Wisor
Executive Editor: Jim Minatel
Proofreader: Kathryn Duggan
Indexer: Johnna VanHoose Dinse
Project Coordinator, Cover: Brent Savage
Cover Designer: Wiley
Cover Image: © Matt Lombard, 2018

Copyright © 2019 by John Wiley & Sons, Inc., Indianapolis, Indiana
Published simultaneously in Canada

ISBN: 978-1-119-30057-1
ISBN: 978-1-119-30059-5 (ebk.)
ISBN: 978-1-119-30058-8 (ebk.)

Manufactured in the United States of America

No part of this publication may be reproduced, stored in a retrieval system or transmitted in any form or by any means, electronic, mechanical, photocopying, recording, scanning or otherwise, except as permitted under Sections 107 or 108 of the 1976 United States Copyright Act, without either the prior written permission of the Publisher, or authorization through payment of the appropriate per-copy fee to the Copyright Clearance Center, 222 Rosewood Drive, Danvers, MA 01923, (978) 750-8400, fax (978) 646-8600. Requests to the Publisher for permission should be addressed to the Permissions Department, John Wiley & Sons, Inc., 111 River Street, Hoboken, NJ 07030, (201) 748-6011, fax (201) 748-6008, or online at <http://www.wiley.com/go/permissions>.

Limit of Liability/Disclaimer of Warranty: The publisher and the author make no representations or warranties with respect to the accuracy or completeness of the contents of this work and specifically disclaim all warranties, including without limitation warranties of fitness for a particular purpose. No warranty may be created or extended by sales or promotional materials. The advice and strategies contained herein may not be suitable for every situation. This work is sold with the understanding that the publisher is not engaged in rendering legal, accounting, or other professional services. If professional assistance is required, the services of a competent professional person should be sought. Neither the publisher nor the author shall be liable for damages arising herefrom. The fact that an organization or Web site is referred to in this work as a citation and/or a potential source of further information does not mean that the author or the publisher endorses the information the organization or Web site may provide or recommendations it may make. Further, readers should be aware that Internet Web sites listed in this work may have changed or disappeared between when this work was written and when it is read.

For general information on our other products and services or to obtain technical support, please contact our Customer Care Department within the U.S. at (877) 762-2974, outside the U.S. at (317) 572-3993 or fax (317) 572-4002.

Wiley publishes in a variety of print and electronic formats and by print-on-demand. Some material included with standard print versions of this book may not be included in e-books or in print-on-demand. If this book refers to media such as a CD or DVD that is not included in the version you purchased, you may download this material at <http://booksupport.wiley.com>. For more information about Wiley products, visit www.wiley.com.

Library of Congress Control Number: 2018943783

TRADEMARKS: Wiley, the Wiley logo, and the Sybex logo are trademarks or registered trademarks of John Wiley & Sons, Inc. and/or its affiliates, in the United States and other countries, and may not be used without written permission. SolidWorks is a registered trademark of Dassault Systemes SolidWorks Corporation. All other trademarks are the property of their respective owners. John Wiley & Sons, Inc. is not associated with any product or vendor mentioned in this book.

10 9 8 7 6 5 4 3 2 1

I dedicate this book to the memory of those of my friends and family who have gone before. Hard work and integrity are important, but who you are is more important than what you have done.

Acknowledgments

I would like to acknowledge three individuals who have together inspired me and pushed me to be my best whatever I'm doing.

Alin Vargatu of Javelin Technologies (located in Oakville, Ontario, Canada) was the technical editor for this book, and is responsible for improving the thoroughness and accuracy of the entire book. Alin has a drive and integrity that is truly an example for us all. His dedication to helping his own customers as well as those who aren't his customers coupled with the boggling amount of energy he must put into this endeavor is really inspiring.

Imre Szuc is Alin's equivalent in the Solid Edge world, as a Solid Edge reseller in Hungary. Imre's enthusiasm for what he does and for technical excellence and sheer drive to help others in highly technical tasks have helped me see what's possible with some dedication.

Arthur Patrick is a Siemens PLM employee who shows real dedication to those who use the product of his efforts. He's responsible for many of the best enhancements to his software over the last several years. He's able to develop and communicate highly productive techniques, and does it all while keeping a sense of humor and not taking himself too seriously. I wish that I could get some of the brilliance from these people to rub off on me a little.

Thanks also to Kim and Zoey, who help with the details in life, allowing me to do this kind of work.

About the Author

Matt Lombard is an independent engineering consultant specializing in design, CAD Management, and product development process consulting. He also writes a blog on product development and related technology, which you can find at www.designstuff.com. Matt lives in the picturesque Shenandoah Valley of Virginia, where he enjoys reading the classics and fishing.

Contents

<i>Introduction</i>	<i>xxxiii</i>
---------------------------	---------------

Part I • Introducing SolidWorks Basics **1**

Chapter 1 • Introducing SolidWorks **3**

Installing SolidWorks for the First Time	3
Starting SolidWorks for the First Time	6
Examining the SolidWorks License Agreement	6
Using the Help Menu	6
Creating a New Document	8
Identifying SolidWorks Documents	9
Saving Your Setup	11
Using Templates	12
Understanding Feature-Based Modeling	15
Understanding History-Based Modeling	16
Sketching with Parametrics	19
Understanding Design Intent	21
Editing Design Intent	21
Choosing Sketch Relations	22
Selecting Display/Delete Relations	22
Using Suppressed Sketch Relations	23
Working with Associativity	24
The Bottom Line	24

Chapter 2 • Navigating the SolidWorks Interface **25**

Identifying Elements of the SolidWorks Interface	25
Using the CommandManager and Toolbars	25
Controlling Menus	37
Changing Cursors	38
Working with Models in the FeatureManager and PropertyManager Windows ...	38
Getting Around the Task Pane	43
Getting Familiar with the Status Bar	45
Using SolidWorks Search	46
Making the Interface Work for You	47
Customizing Colors	47
Customizing Strategies	49
Working with Multiple Document Windows	55
The Bottom Line	59

Chapter 3 • Working with Sketches and Reference Geometry	61
Creating a New Part	61
Creating a Sketch	62
Identifying Sketch Entities	64
Using the Sketch Toolbar	64
Driving Sketches with Smart Dimensions	83
Using Tools on the Dimensions/Relations Toolbar	86
Inferencing in Sketch	89
Exploring Sketch Settings	90
Using Sketch Blocks	92
Working with Reference Geometry	93
Creating Planes	93
Working with Axes	94
Using Coordinate Systems	94
Using Points as Reference Geometry	96
Sketching with Touch Interface	96
Tutorial: Learning to Use Sketch Relations	98
Tutorial: Using Blocks and Belts	102
Tutorial: Creating Reference Geometry	105
The Bottom Line	109
Chapter 4 • Creating Simple Parts and Drawings	111
Discovering Design Intent	111
Using Symmetry	112
Determining Primary or Functional Features	112
Predicting Change	112
Creating a Simple Part	113
Deciding Where to Start	113
Building in Symmetry	116
Making It Solid	117
Using Instant 3D	122
Making the First Extrude Feature	123
Creating a Simple Assembly	125
Creating the Assembly	126
Populating the Assembly	126
Examining Mates	127
Creating a Simple Drawing	128
Tutorial: Creating a Simple Part	128
Tutorial: Making a Simple Drawing	137
The Bottom Line	142
Chapter 5 • Using Visualization Techniques	143
Manipulating the View	143
Using Arrow Keys	144
Using the Middle Mouse Button	144
Using Mouse Gestures	145

Using the View Toolbar	146
Adding Scrollbars and Splitters	147
Using the Magnifying Glass	148
Clicking the Triad Axes	148
Using the View Tools	149
Zebra Stripes and Curvature	153
View Orientation	154
Annotation Views	156
Using the DisplayManager	157
Applying Appearances	157
Using Decals	165
Using Scenes, Lights, and Cameras	166
The Display Pane	173
Applying Color Automatically to Features	174
Using Edge Display Settings	174
Tutorial: Applying Visualization Techniques	175
The Bottom Line	179

Part II • Building Intelligence into Your Parts 181

Chapter 6 • Getting More from Your Sketches	183
Editing Sketch Relations	183
Using Display/Delete Relations	184
Using Replace Entity	186
Using SketchXpert	188
Getting More from Dimensions	189
Dimensioning from Centerlines	189
Sketching with Numeric Input	189
Working with Sketch Entities	189
Moving, Rotating, Copying, and Scaling Entities	190
Modifying a Sketch	191
Copying and Pasting Sketch Entities	192
Dragging Entities	192
Creating a Derived Sketch	193
Using Sketch Pictures	193
Using Three Views	195
Compensating for Perspective	196
Estimating Sharp Edges	196
Using Auto Trace	196
Using Stick Fonts	196
Using Sketch Text	196
Using Colors and Line Styles with Sketches	198
Working in Color Display Mode	198
Assigning Line Color	198
Using the Edit Sketch or Curve Color Tool	198
Assigning Line Thickness and Line Style	198

Using Other Sketch Tools	199
Working with RapidSketch	199
Adding Sensors	199
Using Metadata for Sketches	200
Creating Construction Geometry	201
Sketching in 3D	201
Navigating in Space	201
Exploring Sketch Relations in 3D Sketches	202
Using Planes in Space	203
Using Planar Path Segments	204
Defining Dimensions	204
Using 3D Sketch Summary	204
Tutorial: Editing and Copying	204
Tutorial: Controlling Pictures, Text, Colors, and Styles	208
Tutorial: Using Metadata	211
Tutorial: Sketching Calculator	212
The Bottom Line	214
Chapter 7 • Modeling with Primary Features	217
Identifying When to Use Which Tool	217
Using the Extrude Feature	217
Understanding Instant 3D	221
Working with the Revolve Feature	222
Introducing Loft, Boundary, and Sweep	223
Controlling Sweep Features	227
Understanding Fillet Types	231
Creating a Constant-Size Fillet	233
Creating Variable-Radius Fillets	243
Using Face Fillets	246
Applying a Full Round Fillet	250
Building a Setback Fillet	251
Using Chamfers	253
Creating Asymmetrical Chamfers	254
Switching Between Fillet and Chamfer Features	255
Tutorial: Bracket Casting	256
The Bottom Line	260
Chapter 8 • Selecting Secondary Features	261
Creating Curve Features	261
Manipulating Curves	262
Working with Helix Curve Features	262
Creating Projected Curves	264
Using the Curve Through XYZ Points Feature	265
Using the Curve Through Reference Points Feature	266
Putting Together a Composite Curve	266
Using Split Lines	267
Using the Equation-Driven Curve	267

Selecting a Specialty Feature	267
Using Scale	268
Using the Dome Feature	269
Using the Wrap Feature	271
Using the Flex Feature	273
Applying the Deform Feature	275
Using the Indent Feature	277
Using Intersect	279
Tutorial: Creating a Wire-Formed Part	280
The Bottom Line	282
Chapter 9 • Patterning and Mirroring	283
Patterning in a Sketch	283
Debunking More Sketch Myths	286
Patterning a Sketch	287
Mirroring in a Sketch	289
Using Mirror Entities	289
Using Dynamic Mirror	290
Using Symmetry Sketch Relation	291
Using Mirroring in 3D Sketches	291
Working with 3D Patterns	291
Exploring the Geometry Pattern Option	292
Patterning Bodies	293
Patterning Faces	294
Patterning Fillets	295
Understanding Pattern Types	295
Using the Linear Pattern	296
Using the Circular Pattern	299
Using a Curve-Driven Pattern	300
Using a Sketch-Driven Pattern	302
Using a Table-Driven Pattern	302
Using the Fill Pattern	303
Using a Variable Pattern	304
Cosmetic Patterns	307
Mirroring 3D Solids	308
Mirroring Bodies	308
Mirroring Features	309
Mirroring Entire Parts	309
Tutorial: Creating a Circular Pattern	310
Tutorial: Mirroring Features	311
Tutorial: Applying a Cosmetic Pattern	313
The Bottom Line	314
Chapter 10 • Using Equations	317
Understanding Equations	317
Creating Equations	318
Using Driven Dimensions	323
Using Equation Tricks	325

Using Global Variables 326
 Using the Modify Box 327
 Using Expressions 329
 Controlling Suppression States of Features 329
 Linking to External Equations 330
 Tutorial: Using Equations 330
 The Bottom Line 333

Chapter 11 • Working with Part Configurations 335

Controlling Items with Configurations. 336
 Finding Configurations 336
 Deleting Confgs 337
 Sorting Confgs 338
 Activating Configurations 339
 Creating Configurations. 340
 Using the Modify Configurations Dialog Box 344
 Using Custom Property Managers. 346
 Using Derived Configurations 347
 Understanding How File Size Affects Speed 348
 Controlling Dimensions. 350
 Controlling Suppression 350
 Controlling Custom Properties 351
 Controlling Sketch Relations. 352
 Controlling Sketch Planes 353
 Controlling Configurations of Inserted Parts 354
 Using Library Features. 355
 Using Design Tables. 355
 Identifying What Can Be Driven by a Design Table 356
 Creating a Simple Design Table 357
 Editing Design Table Settings 362
 Editing the Design Table 364
 Using the Configuration Publisher 364
 Tutorial: Working with Configurations and Design Tables 365
 The Bottom Line 368

Chapter 12 • Editing, Evaluating, and Troubleshooting 371

Using Rollback 371
 Using the Rollback Bar 372
 Using Other Rollback Techniques 376
 Using Part Reviewer. 377
 Reordering Features. 378
 Reordering Folders. 379
 Using the Flyout and Detachable FeatureManagers. 380
 Displaying the FeatureManager and PropertyManager 381
 Following Selection Breadcrumbs 381
 Summarizing Part Modeling Best Practices 383

Using Design for Change	385
Keeping Track of References	386
Visualizing Horizontal Modeling	386
Understanding Resilient Modeling	386
Using Skeleton Sketches	387
Using Evaluation Techniques	387
Using Verification On Rebuild	388
Using the Check Tool	389
Evaluating Geometry with Reflective Techniques	390
Troubleshooting Errors	397
Interpreting Rebuild Errors	397
Identifying Common Errors	398
Dismissing Errors	400
Using SolidWorks RX and Performance Benchmark	401
Tutorial: Utilizing Editing and Evaluation Techniques	406
The Bottom Line	412

Part III • Working with Assemblies 413

Chapter 13 • Building Efficient Assemblies	415
Understanding the Purpose of Assemblies	415
Identifying Types of Assemblies	416
Creating an Alternative to Multiple Assemblies	422
Identifying the Elements of an Assembly	423
Working with Assembly Equations	424
Using an Assembly Layout Sketch	426
Working with Virtual Components	428
Creating Assembly Reference Geometry	428
Comparing History-Based and Non-History-Based Portions of the Assembly Tree	428
Understanding Parts and Subassemblies	429
Organizing Mates	429
Applying Assembly Features	430
Using Component Patterns and Mirror Components	432
Using SpeedPaks	432
Using Ghosts	432
Sharing Self-Contained Data	433
Using SpeedPaks with Drawings	433
Using Subassemblies	433
Creating Subassemblies from Existing Parts	434
Organizing for Performance	435
Organizing for the Bill of Materials	436
Grouping Subassemblies by Relative Motion	437
Organizing Groups of Purchased Components	437
Depicting an Assembly Process	437
Patterning Considerations	438

Using Folders	438
Creating Folders in the FeatureManager	439
Reordering Items in the Tree	439
Working with Tree Display Options	440
Showing Feature Names and Descriptions	440
Showing Component and Config Names and Descriptions	440
Using Component Reference per Instance	441
Viewing Features, Mates, and Dependencies	442
Tutorial: Arranging Assemblies	443
Tutorial: Managing the FeatureManager	446
The Bottom Line	447
Chapter 14 • Getting More from Mates	449
Applying Mates	449
Mating Through the Mate PropertyManager	450
Taking Advantage of SmartMates	454
Using the Component Preview Window	457
Using Copy With Mates	457
Mating with Macros	458
Mating for Motion	459
Analyzing Degree of Freedom	459
Setting Up Successful Motion	460
Using Reference Entities	462
Working with Advanced and Mechanical Mate Types	462
Profile Center Mate	463
Symmetric Mate	463
Cam Mate	464
Width Mate	465
Gear Mate	466
Rack and Pinion Mate	466
Limit Mates	466
Screw Mate	468
Path Mate	468
Linear Coupler Mate	470
Hinge Mate	470
Belt/Chain	470
Editing and Troubleshooting	471
Editing Existing Mates	471
Troubleshooting Assembly Mates	473
Troubleshooting Warnings and Errors	474
Examining Mate Options	474
Reviewing Mate Best Practices	475
Tutorial: Mating for Success	477
The Bottom Line	480

Chapter 15 • Patterning and Mirroring Components	483
Component Patterns	483
Using Local Component Patterns	484
Creating Local Pattern References	484
Using Mirror Components.	486
Using Feature-Driven Component Patterns	491
Creating a Chain Pattern	492
Understanding Other Pattern Options	494
Tutorial: Creating Component Patterns	495
The Bottom Line	497
Chapter 16 • Working with Assembly Sketches and Layouts	499
Looking at the Techniques	499
Using the Assembly Layout Sketch	500
Using Master Model	504
Using the Layout Feature	505
Using the Layout Workflow	505
Working with Virtual Components	506
Balancing Advantages and Limitations.	507
Tutorial: Working with a Layout	507
The Bottom Line	513
Chapter 17 • Using Assembly Tools	515
Placing Parts without Mates	515
Using the Move Component Options	516
Using the For Positioning Only Option.	519
Building Parts in Place	520
Using Proximity Tools	520
Using Interference Detection.	521
Using Clearance Verification.	523
Using Dynamic Clearance	524
Using Collision Detection	525
Using Physical Dynamics	526
Using Sensors.	526
Selecting Components	528
Selecting with a Volume.	529
Selecting Suppressed Components	530
Selecting Hidden Components	530
Selecting Subassemblies.	530
Selecting Parts Mated to Another Part.	530
Selecting Identical Components	530
Selecting Internal Components	530
Selecting Toolbox Parts.	530
Using the Advanced Select Options.	531
Selecting by Size	532

Reading Assembly Performance Evaluation Results	532
Using Defeature	533
Using the Hole Alignment Tool	534
The Bottom Line	535
Chapter 18 • Using Libraries, Assembly Features, and Hole Wizard	537
Using Library Features	537
Getting Started with Library Features	538
Applying the Library Feature Interface	538
Exploring Other Design Library Functions	541
Creating Library Features	543
Creating a Library Feature	544
Creating a Library Feature from an Existing Part	549
Adding Folders to the Library	550
Locating Dimensions and Internal Dimensions	550
Creating Assembly Cuts	551
Using the Feature Scope	552
Propagating Features to Parts	553
Making Fillets and Chamfers in Assemblies	554
Using the Hole Wizard	555
Using the Hole Series	556
Creating Weld Beads	558
Working with Envelopes	560
Understanding Smart Components	562
Using Smart Components	563
Getting Started with a Simple Smart Component	563
Auto-Sizing Smart Components	566
Making Smart Components	568
Getting Started with a Simple Smart Component	568
Creating an Auto-Sizing Smart Component	570
Managing Files with Smart Components	574
Editing Smart Components	575
Tutorial: Working with Smart Components	576
Tutorial: Working with Library Features	579
The Bottom Line	586
Chapter 19 • Controlling Assembly Configurations and Display States	589
Using Display States	589
Controlling Display States and Configurations	590
Using Display States with Drawings	592
Using Part Display States in Parts	592
Understanding Assembly Configurations	592
Applying Configurations for Performance	592
Using Configurations for Positions	596
Applying Configurations for Product Variations	598
Using Design Tables for Assembly Configurations	599

Working with Modify Configurations and the Configuration Publisher	599
Looking at Assembly Configuration Dos and Don'ts	600
Tutorial: Working with Assembly Configurations	600
The Bottom Line	604
Chapter 20 • Modeling in Context	605
Understanding In-Context Modeling	605
Working Through a Simple In-Context Example	606
Weighing the Advantages of In-Context Modeling	613
Anticipating Problems with In-Context Modeling	613
Identifying Alternatives to In-Context Modeling	614
Dealing with the Practical Details of In-Context Modeling	615
Understanding the In-Context Process	616
Looking at In-Context Best Practices	624
Using Other Types of External References	630
Working with Split Parts	631
Using Mirror Parts	631
Tutorial: Working In-Context	631
The Bottom Line	635
Chapter 21 • Editing, Evaluating, and Troubleshooting Assemblies	637
Working with Mates	637
Listing Mates in the Mates Folder	637
Listing Mates Under the Component	639
Displaying Mates Instead of Features	639
Working with the View Mates Tool	640
Using the View Mate Errors Window	641
Using the MateXpert	641
Editing Mates	642
Editing File Management Issues	645
Using Save Options and Pack And Go	645
Replacing Components	647
Forming and Dissolving Subassemblies	649
Evaluating Assemblies	651
Using the Performance Evaluation Tool	651
Identifying FeatureManager Symbols	652
Using the Isolate Function	653
Using Reload	653
The Bottom Line	654
Chapter 22 • Working with Large Scale Design	657
Using Large Design Review	657
Updating Large Design Review	660
Resolving Components	660
Taking Snapshots	660
Creating a Walk-Through	661

Creating a GridSystem. 663
 Starting the GridSystem Feature. 664
 Creating the Sketch. 664
 Using the GridSystem PropertyManager 665
 Understanding the GridSystem Output 665
 Viewing the Grid Components 666
 Transferring Data with the IFC File Type 667
 The Bottom Line 668

Chapter 23 • Animating with the MotionManager 669

Familiarizing Yourself with the MotionManager 670
 Understanding the Terminology. 670
 Driving an Animation 671
 Planning an Animation 672
 Identifying Elements of the MotionManager 673
 Using Display Options. 673
 Using the MotionManager Interface 673
 Formatting Output 673
 Using the Animation Wizard 674
 Creating a Rotating Animation 674
 Creating an Exploded View Animation. 677
 Animating an Assembly. 678
 Animating the View 683
 Driving the View with Key Points 684
 Using Paths to Control Cameras. 688
 Animating with Key Points 691
 Getting Started. 691
 Using the Timebar with Key Points 692
 Copying and Mirroring Motion 693
 Adjusting the Speed of Actions. 693
 Outputting the Animation. 694
 Animating with Basic Motion. 696
 Using Gravity and Contact 696
 Using Motors and Springs. 697
 Animating a Chain and a Spring Using Motors. 698
 Using the Mate Controller. 700
 The Bottom Line 702

Part IV • Creating Drawings 703

Chapter 24 • Automating Drawings: The Basics. 705

Comparing Templates and Formats 705
 Changing Existing Templates 705
 Maintaining Different Templates or Formats 706
 Creating Custom Drafting Standards 706

Creating Drawing Formats	707
Customizing an Existing Format	708
Using Custom Properties	710
Using the Title Block Function	715
Creating a Format from an Imported DWG/DXF file	716
Saving the Format	718
Using Second Sheet Formats	718
Creating Drawing Templates	720
Using Predefined Views in Drawing Templates	720
Using Styles and Blocks in Templates	724
Using Custom Properties in Templates	725
Saving a Template	725
Creating Blocks	725
The Bottom Line	726
Chapter 25 • Working with Drawing Views	727
Creating Common View Types	727
Using the View Palette	727
Using Model Views	728
Using the Projected View	732
Using Standard 3 View	733
Using Detail View	734
Working with Section Views	736
Creating Other View Types	740
Using a Crop View	740
Using a Broken-Out Section View	740
Using a Break View	744
Using an Auxiliary View	745
Using an Alternate Position View	745
Using a Predefined View	747
Using an Empty View	747
Using a Saved View	747
Converting a Drawing View to a Sketch	748
Saving a View to DWG/DXF	748
Using a Relative View	748
Using the 3D Drawing View Mode	749
Changing View Orientation and Alignment	750
Using Display Options in Views	751
Using Display States	751
Using Display Styles	751
Working with Tangent Edge Display Options	753
Choosing View Quality Settings	755
Distinguishing Views from Sheets	756
Tutorial: Working with View Types, Settings, and Options	756
The Bottom Line	762

Chapter 26 • Using Annotations and Symbols	765
Using Notes	765
Setting Up a Workflow for Placing Notes	765
Utilizing Fonts	766
Using Text Boxes and Wrapping	766
Placing Notes and Leaders	769
Adding Styles	772
Using Format Painter	774
Linking Notes to Custom Properties	774
Hyperlinking Text	775
Adding Notes and Symbols	775
Using Blocks in Drawings	775
Inserting Blocks	775
Creating Blocks	778
Editing Blocks	779
Using Symbols	779
Using Symbols in Notes and Dimensions	779
Creating Custom Symbols	780
Using Center Marks and Centerlines	780
Tutorial: Using Annotations	782
The Bottom Line	784
Chapter 27 • Dimensioning and Tolerancing	787
Putting Dimensions on Drawings	787
Using Insert Model Items	787
Using Reference Dimensions	790
Understanding Dimension Options	795
Adding Tolerances	799
Changing Precision Values	801
Using Geometric Tolerancing Symbols	801
Using Dimension Styles	802
Aligning Dimensions and Annotations	802
Using the Alignment Tools	803
Inferencing Alignment and Grid Snapping	803
Using Dimension Palette Alignment Options	803
Arranging Dimensions Automatically	804
Tutorial: Working with Dimensions and Tolerances	805
The Bottom Line	808
Chapter 28 • Using Layers, Line Fonts, and Colors	809
Controlling Layers	809
Working with Layers in Imported 2D Data	809
Working with Layers on the Sheet Format	810
Adding Dimensions and Notes to Layers	811
Working with Components on Layers	811
Controlling Line Format	813

Using the Line Format Settings	814
Setting the End Cap Style	814
Setting the Line Thickness	814
Setting the Line Style	815
Changing the Color Display Mode	815
Hiding and Showing Edges	815
Tutorial: Using Drawing Display Tools	816
The Bottom Line	818

Chapter 29 • Working with Tables and Drawings 821

Driving the Bill of Materials	821
Examining the SolidWorks Table-Based BOM	822
Retiring an Excel-Based BOM	829
Using Design Tables	830
Placing Hole Tables on Drawings	832
Using Revision Tables	834
Using General Tables	836
Working with Tables in Models	836
Tutorial: Using BOMs	837
Tutorial: Using Hole Tables	841
Tutorial: Using Revision Tables	843
The Bottom Line	844

Chapter 30 • Creating Assembly Drawings 845

Combining Parts and Assemblies on the Same Drawing	845
Dimensioning Assembly Features	845
Assigning the Document Driving the Custom Properties	846
Using Multi-Page Templates	847
Using Views with Special Assembly Functions	849
Using the Alternate Position View	849
Creating Views of an Exploded Assembly	850
Creating Section Views	855
Broken-Out Section View	858
Using Color in Assembly Drawing Views	860
Setting Up Drawings of Large Assemblies	861
Using Detached Drawings	861
Working with Lightweight Drawings	863
Using SpeedPak with Drawings	863
Using Draft Quality Views	865
Tutorial: Creating a Simple Assembly Drawing	866
The Bottom Line	869

Part V • Using Advanced and Specialized Techniques 871

Chapter 31 • Modeling Multibodies 873

Using Powerful Tools Effectively	874
Comparing Multibody Modeling with Assembly Modeling	874
Using Multibody Techniques Appropriately	875

Understanding Multibody Techniques	876
Using Simple Methods to Create Multiple Bodies	877
Creating Complex Shapes Across Bodies	879
Using Tool Bodies and Boolean Operations	881
Using Local Operations	885
Patterning	887
Simplifying Very Complex Parts	888
Bridging Between Solids	889
Modeling for Undetermined Manufacturing Methods	890
Applying the Feature Scope to Bodies	891
Managing Bodies with the Split Feature	892
Adding Bodies Using the Insert Part Feature	894
Using Intersect to Modify Bodies	896
Managing Bodies	897
Using Body Folders	897
Hiding or Showing Bodies	899
Deleting Bodies	901
Renaming Bodies	902
Tutorials: Working with Multibodies	902
Merging and Local Operations	902
Splitting and Patterning Bodies	903
The Bottom Line	906
Chapter 32 • Working with Surfaces	907
Introducing Surfaces	907
Understanding Surfacing Terminology	908
Exploring the Knit Function	908
Using the Trim Function	908
Using the Untrim Function	909
Hybrid Modeling	909
Understanding Non-Uniform Rational B Spline	910
Using Developable Surfaces	910
Using Ruled Surfaces	911
Defining Gaussian Curvature	911
Surfacing Tools	911
Using the Extruded Surface	911
Using Boundary Surface	913
Using the Offset Surface	914
Using Radiate Surface	915
Using Knit Surface	917
Using Thicken Surface	918
Using Planar Surface	918
Using Extend Surface	918
Using Trim Surface	919
Using Fill Surface	920
Using MidSurface	922

Using Replace Face	923
Using Ruled Surface	924
Using Intersect	925
Tutorial: Working with Surfaces	926
Using Cut With Surface	926
Using Offset Surface	927
Using Fill Surface Blend	929
The Bottom Line	933
Chapter 33 • Employing Master Model Techniques	935
Master Model Tools and Techniques	935
Using Pull Functions	937
Understanding the Insert Part Feature	937
Understanding the Insert Into New Part Feature	940
Using Push Functions	940
Working with the Split Feature	941
Working with the Save Bodies Feature	942
Tutorial: Working with Master Model Techniques	943
The Bottom Line	947
Chapter 34 • Using SolidWorks Sheet Metal Tools	949
Using the Base Flange Features	949
Using the Base Flange/Tab Feature	950
Using the Sheet Metal Feature	951
Using the Flat Pattern Feature	957
Using the Edge Flange Feature	959
Using the Miter Flange Feature	963
Using the Hem Feature	964
Using the Jog Feature	965
Using the Sketched Bend Feature	967
Using the Closed Corner Feature	967
Using the Corner Relief Feature	970
Mirroring and Patterning in Sheet Metal	971
Forming Tool Feature	973
Using the Lofted Bends Feature	977
Using the Unfold and Fold Features	978
Using the Swept Flange Feature	979
Using the Gusset Feature	981
Using the Tab and Slot Feature	981
Making Sheet Metal Parts from Generic Models	983
Using the Normal Cut Feature	984
Using the Rip Feature	986
Using the Sheet Metal Feature	987
Using the Flatten Bends Feature	987
Using the Process Bends Feature	987
Using the No Bends Feature	988

Using the Flat Pattern Feature.	988
Using the Convert To Sheet Metal Feature	988
Using Other Methods	989
Working with Imported Geometry.	989
Making Rolled Conical Parts.	990
Mixing Methods	990
Using Multibody Techniques with Sheet Metal.	991
Using Insert Part	991
Using Multiple Base Flanges.	992
Tutorial: Working with the Insert Bends Method for Sheet Metal Parts	992
Tutorial: Using the Base Flange Sheet Metal Method	995
The Bottom Line	999
Chapter 35 • Creating Sheet Metal Drawings.	1005
Making Sheet Metal Drawings.	1005
Getting the Flat Pattern	1006
Understanding Flat Patterns and Configurations	1007
Showing Bend Lines and Bend Notes	1008
Showing the Bounding Box for the Flat Pattern.	1010
Showing Bend Areas on the Part	1010
Making Drawings of Multibody Sheet Metal Parts.	1012
Displaying Bodies on the Sheet Metal Drawing.	1012
Using a Cut List in a Sheet Metal Part	1013
Managing Cut List Properties	1013
Placing the Cut List on the Drawing	1014
Saving a Cut List Template	1015
The Bottom Line	1015
Chapter 36 • Creating Weldments and Weldment Drawings	1017
Sketching in 3D.	1017
Navigating in 3D Space	1018
Understanding Sketch Relations in 3D Sketches	1019
Creating Planes in Space	1020
Limiting Path Segments	1021
Using Dimensions in 3D Sketches	1021
Using the Weldment Tools	1022
Using the Weldment Feature.	1022
Introducing the Structural Member Feature.	1023
Using the Trim/Extend Feature	1029
Using the End Cap Feature	1030
Working with the Gusset Feature.	1030
Using Nonstructural Components.	1032
Using Sub-Weldments	1032
Working with Cut Lists	1033
Using Cut-List Properties	1034
Excluding and Reordering Cut-List Items.	1034
Using Weld Beads and Fillet Beads in Weldments and Assemblies	1036